

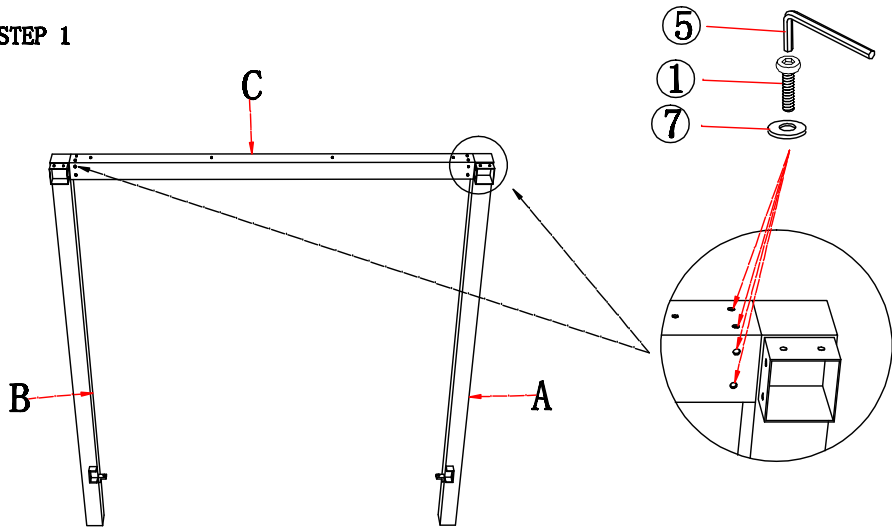
PARTLIST

A		x2
B		x2
C		x2
D		x2
E1		x2
E2		x2
F1		x2
F2		x2
G		x1
H		x1
I		x1

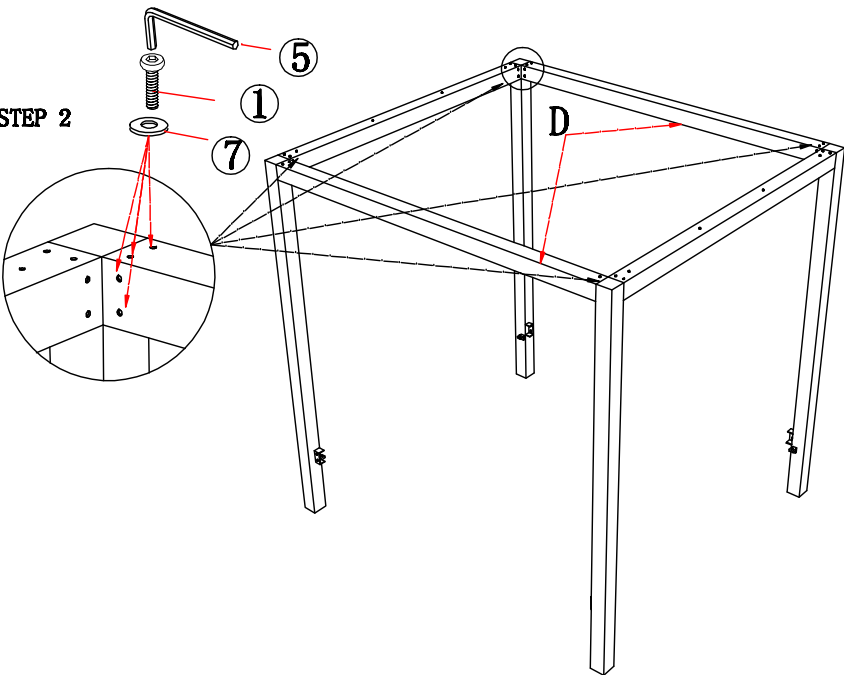
SCREWS AND TOOL

①	M6*15mm	x32
②	M6*35mm	x8
③	M8*20mm	x12
④	M5	x1
⑤	M4	x1
⑥	$\phi 16*8$ mm	x12
⑦	$\phi 12*6$ mm	x58
⑧	M6*20mm	x18

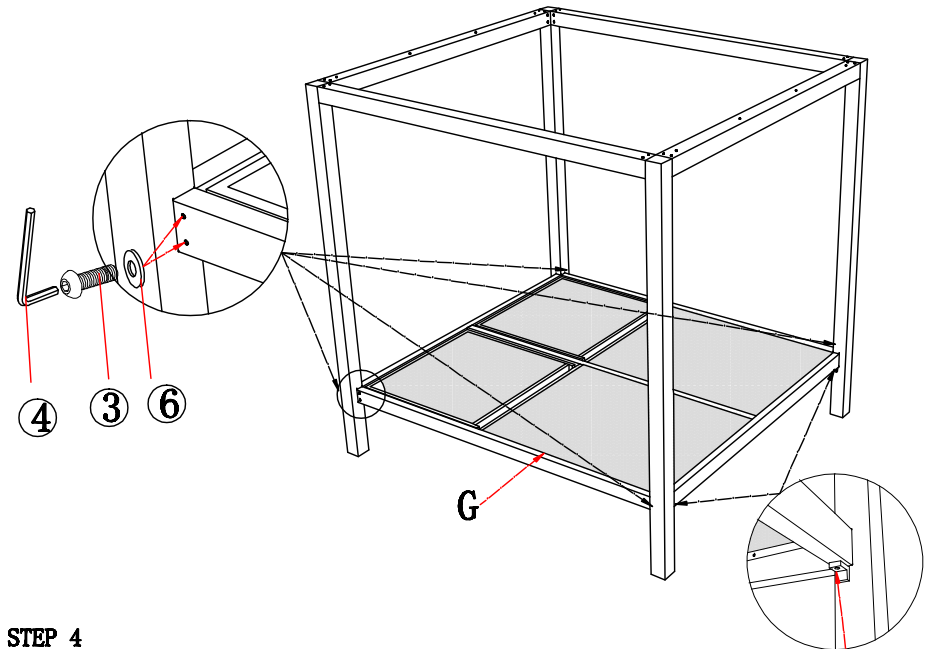
STEP 1



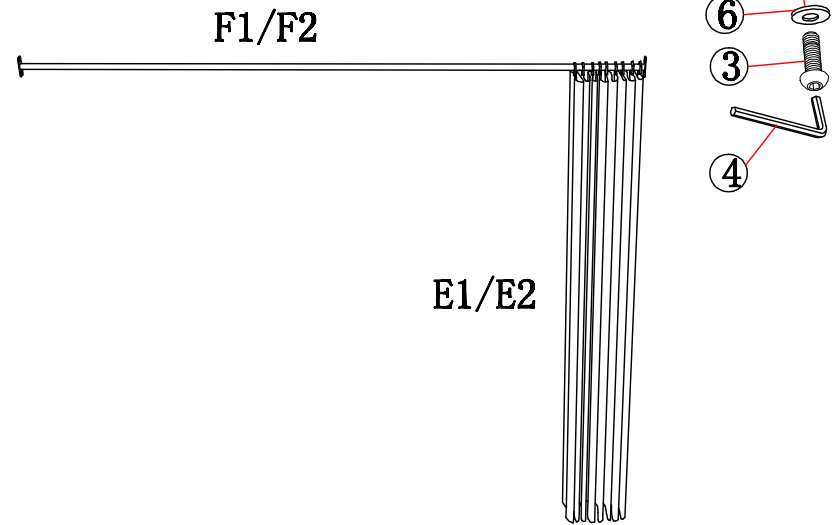
STEP 2



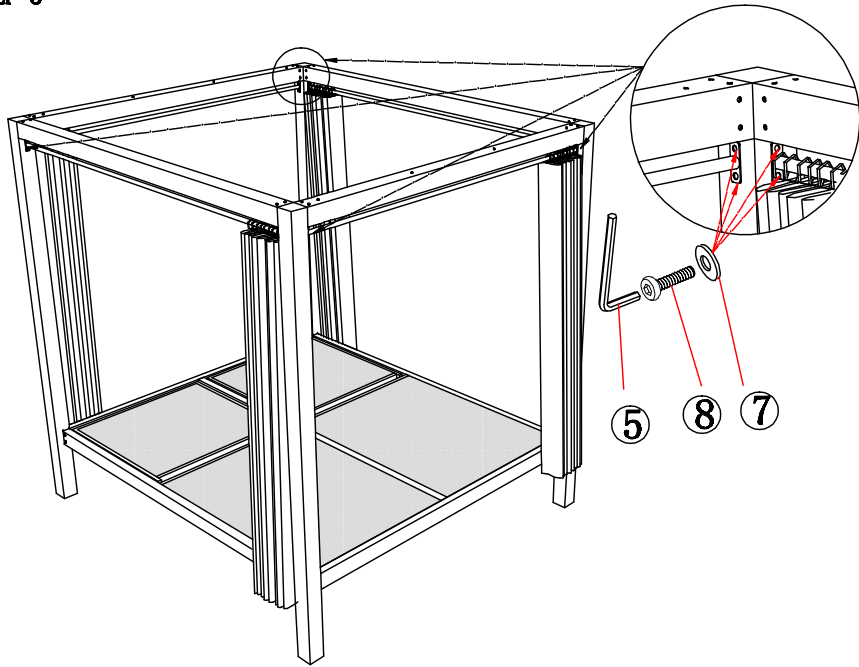
STEP 3



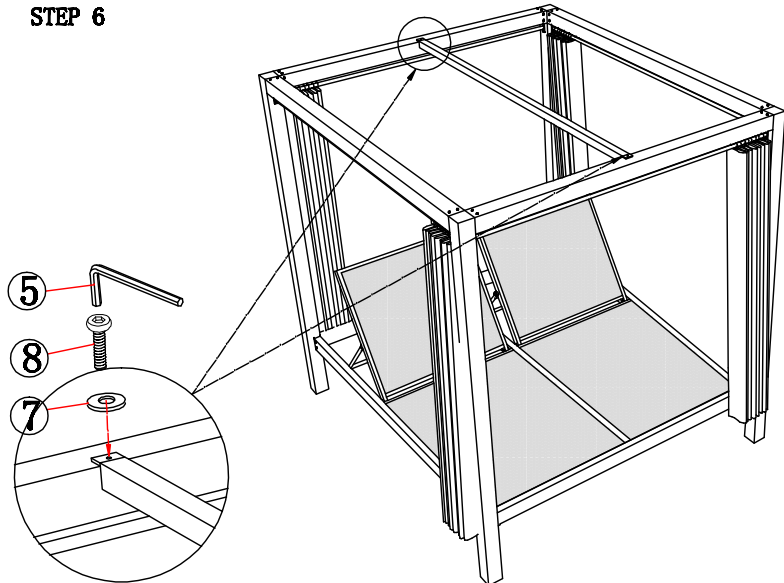
STEP 4



STEP 5



STEP 6



STEP 7

